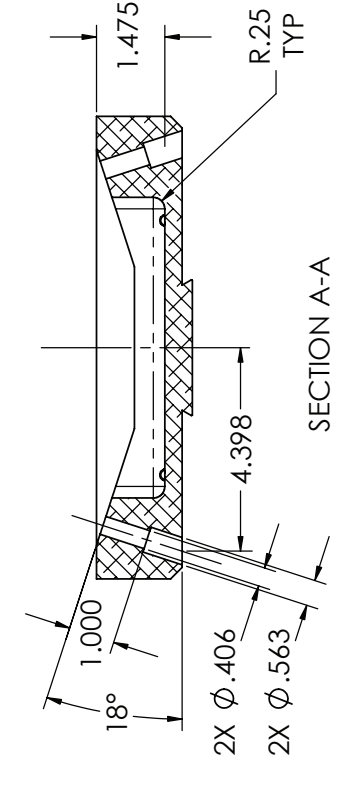


NOTES:

1. REMOVE ALL SHARP EDGES.
2. FINISH: BLACK ANODIZE PER MIL-A-8625, TYPE II, CLASS 2



UNLESS OTHERWISE SPECIFIED TOLERANCES	DECIMAL DIM	ANGULAR DIM	DATE	NAME	DATE
XXX±.005	XXX±.01	XXX±.01		A. HASSMIN	10/8/06
XX±.01	XX±.02	XX±.01		CHECKED	
XX±.02	XX±.03	XX±.02		ENG APPR.	
XX±.03	XX±.04	XX±.03		MATERIAL	
XX±.04	XX±.05	XX±.04		FINISH	
XX±.05	XX±.06	XX±.05		6061-T6 AL ALLOY	
XX±.06	XX±.07	XX±.06		SEE NOTE	
XX±.07	XX±.08	XX±.07		6061-T6 AL ALLOY	
XX±.08	XX±.09	XX±.08		SEE NOTE	
XX±.09	XX±.10	XX±.09		6061-T6 AL ALLOY	
XX±.10	XX±.11	XX±.10		SEE NOTE	
XX±.11	XX±.12	XX±.11		6061-T6 AL ALLOY	
XX±.12	XX±.13	XX±.12		SEE NOTE	
XX±.13	XX±.14	XX±.13		6061-T6 AL ALLOY	
XX±.14	XX±.15	XX±.14		SEE NOTE	
XX±.15	XX±.16	XX±.15		6061-T6 AL ALLOY	
XX±.16	XX±.17	XX±.16		SEE NOTE	
XX±.17	XX±.18	XX±.17		6061-T6 AL ALLOY	
XX±.18	XX±.19	XX±.18		SEE NOTE	
XX±.19	XX±.20	XX±.19		6061-T6 AL ALLOY	
XX±.20	XX±.21	XX±.20		SEE NOTE	
XX±.21	XX±.22	XX±.21		6061-T6 AL ALLOY	
XX±.22	XX±.23	XX±.22		SEE NOTE	
XX±.23	XX±.24	XX±.23		6061-T6 AL ALLOY	
XX±.24	XX±.25	XX±.24		SEE NOTE	
XX±.25	XX±.26	XX±.25		6061-T6 AL ALLOY	
XX±.26	XX±.27	XX±.26		SEE NOTE	
XX±.27	XX±.28	XX±.27		6061-T6 AL ALLOY	
XX±.28	XX±.29	XX±.28		SEE NOTE	
XX±.29	XX±.30	XX±.29		6061-T6 AL ALLOY	
XX±.30	XX±.31	XX±.30		SEE NOTE	
XX±.31	XX±.32	XX±.31		6061-T6 AL ALLOY	
XX±.32	XX±.33	XX±.32		SEE NOTE	
XX±.33	XX±.34	XX±.33		6061-T6 AL ALLOY	
XX±.34	XX±.35	XX±.34		SEE NOTE	
XX±.35	XX±.36	XX±.35		6061-T6 AL ALLOY	
XX±.36	XX±.37	XX±.36		SEE NOTE	
XX±.37	XX±.38	XX±.37		6061-T6 AL ALLOY	
XX±.38	XX±.39	XX±.38		SEE NOTE	
XX±.39	XX±.40	XX±.39		6061-T6 AL ALLOY	
XX±.40	XX±.41	XX±.40		SEE NOTE	
XX±.41	XX±.42	XX±.41		6061-T6 AL ALLOY	
XX±.42	XX±.43	XX±.42		SEE NOTE	
XX±.43	XX±.44	XX±.43		6061-T6 AL ALLOY	
XX±.44	XX±.45	XX±.44		SEE NOTE	
XX±.45	XX±.46	XX±.45		6061-T6 AL ALLOY	
XX±.46	XX±.47	XX±.46		SEE NOTE	
XX±.47	XX±.48	XX±.47		6061-T6 AL ALLOY	
XX±.48	XX±.49	XX±.48		SEE NOTE	
XX±.49	XX±.50	XX±.49		6061-T6 AL ALLOY	
XX±.50	XX±.51	XX±.50		SEE NOTE	
XX±.51	XX±.52	XX±.51		6061-T6 AL ALLOY	
XX±.52	XX±.53	XX±.52		SEE NOTE	
XX±.53	XX±.54	XX±.53		6061-T6 AL ALLOY	
XX±.54	XX±.55	XX±.54		SEE NOTE	
XX±.55	XX±.56	XX±.55		6061-T6 AL ALLOY	
XX±.56	XX±.57	XX±.56		SEE NOTE	
XX±.57	XX±.58	XX±.57		6061-T6 AL ALLOY	
XX±.58	XX±.59	XX±.58		SEE NOTE	
XX±.59	XX±.60	XX±.59		6061-T6 AL ALLOY	
XX±.60	XX±.61	XX±.60		SEE NOTE	
XX±.61	XX±.62	XX±.61		6061-T6 AL ALLOY	
XX±.62	XX±.63	XX±.62		SEE NOTE	
XX±.63	XX±.64	XX±.63		6061-T6 AL ALLOY	
XX±.64	XX±.65	XX±.64		SEE NOTE	
XX±.65	XX±.66	XX±.65		6061-T6 AL ALLOY	
XX±.66	XX±.67	XX±.66		SEE NOTE	
XX±.67	XX±.68	XX±.67		6061-T6 AL ALLOY	
XX±.68	XX±.69	XX±.68		SEE NOTE	
XX±.69	XX±.70	XX±.69		6061-T6 AL ALLOY	
XX±.70	XX±.71	XX±.70		SEE NOTE	
XX±.71	XX±.72	XX±.71		6061-T6 AL ALLOY	
XX±.72	XX±.73	XX±.72		SEE NOTE	
XX±.73	XX±.74	XX±.73		6061-T6 AL ALLOY	
XX±.74	XX±.75	XX±.74		SEE NOTE	
XX±.75	XX±.76	XX±.75		6061-T6 AL ALLOY	
XX±.76	XX±.77	XX±.76		SEE NOTE	
XX±.77	XX±.78	XX±.77		6061-T6 AL ALLOY	
XX±.78	XX±.79	XX±.78		SEE NOTE	
XX±.79	XX±.80	XX±.79		6061-T6 AL ALLOY	
XX±.80	XX±.81	XX±.80		SEE NOTE	
XX±.81	XX±.82	XX±.81		6061-T6 AL ALLOY	
XX±.82	XX±.83	XX±.82		SEE NOTE	
XX±.83	XX±.84	XX±.83		6061-T6 AL ALLOY	
XX±.84	XX±.85	XX±.84		SEE NOTE	
XX±.85	XX±.86	XX±.85		6061-T6 AL ALLOY	
XX±.86	XX±.87	XX±.86		SEE NOTE	
XX±.87	XX±.88	XX±.87		6061-T6 AL ALLOY	
XX±.88	XX±.89	XX±.88		SEE NOTE	
XX±.89	XX±.90	XX±.89		6061-T6 AL ALLOY	
XX±.90	XX±.91	XX±.90		SEE NOTE	
XX±.91	XX±.92	XX±.91		6061-T6 AL ALLOY	
XX±.92	XX±.93	XX±.92		SEE NOTE	
XX±.93	XX±.94	XX±.93		6061-T6 AL ALLOY	
XX±.94	XX±.95	XX±.94		SEE NOTE	
XX±.95	XX±.96	XX±.95		6061-T6 AL ALLOY	
XX±.96	XX±.97	XX±.96		SEE NOTE	
XX±.97	XX±.98	XX±.97		6061-T6 AL ALLOY	
XX±.98	XX±.99	XX±.98		SEE NOTE	
XX±.99	XX±.100	XX±.99		6061-T6 AL ALLOY	