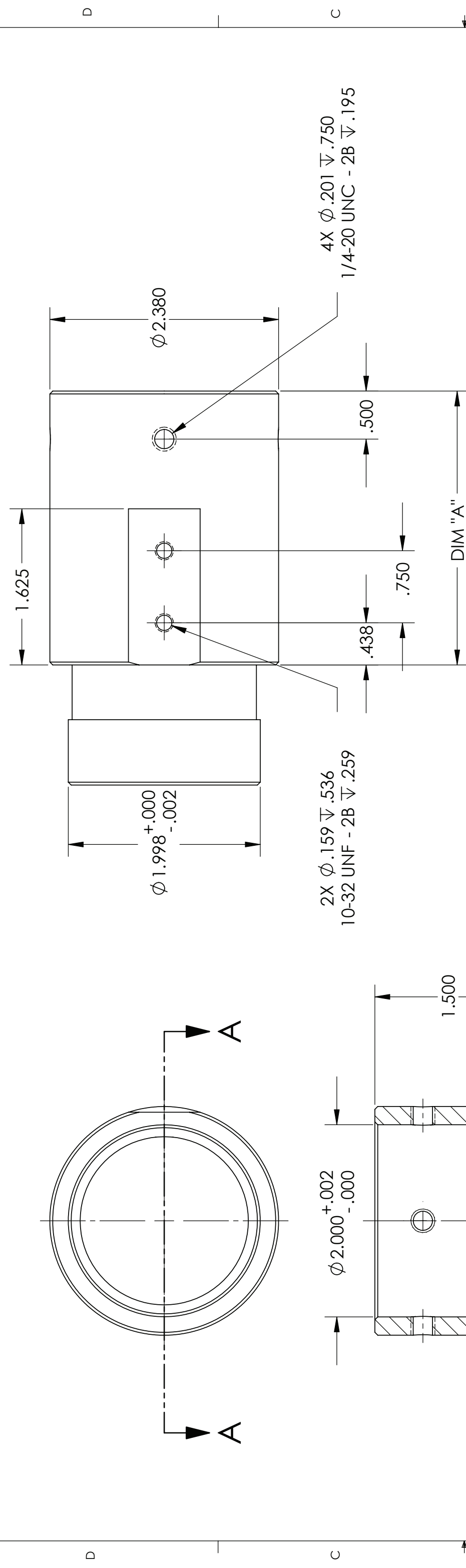
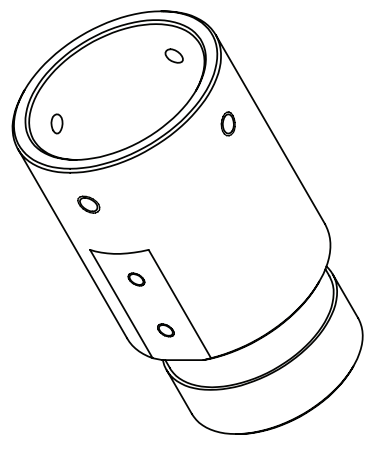


REV.	DESCRIPTION	DATE	APPROVED



PART NUMBER	DIM "A"
200368-1	3.850
200368-2	2.850
200368-3	3.300



NOTES:

1. REMOVE ALL SHARP EDGES.
2. BLACK ANODIZE PER MIL-A-8625F, TYPE II, CLASS 2

PROPRIETARY AND CONFIDENTIAL
 THE INFORMATION CONTAINED IN THIS DRAWING IS THE SOLE PROPERTY OF PLANEWAVE INSTRUMENTS. ANY REPRODUCTION IN PART OR AS A WHOLE WITHOUT THE WRITTEN PERMISSION OF PLANEWAVE INSTRUMENTS IS PROHIBITED.

UNLESS OTHERWISE SPECIFIED TOLERANCES		NAME	DATE	PLANEWAVE Instruments	
DECIMAL DIM	XXXX±.0005	DRAWN	W. ZHOU	1/5/2007	TITLE
ANGULAR DIM	MACHINED $\pm 0^{\circ} 30'$	CHECKED			
LOCATING	$\pm 0^{\circ} 30'$	ENG. APPR.			
FORMED	$\pm 1^{\circ}$	MATERIAL	6061-T6 AL ALLOY		
CHAMFERS	$\pm .5^{\circ}$	FINISH	SEE NOTE		
		SIZE	DWG. NO.	200368	REV. B
		SCALE	1:1	CAD FILE: 200368B	SHEET 1 OF 1

SECTION A-A